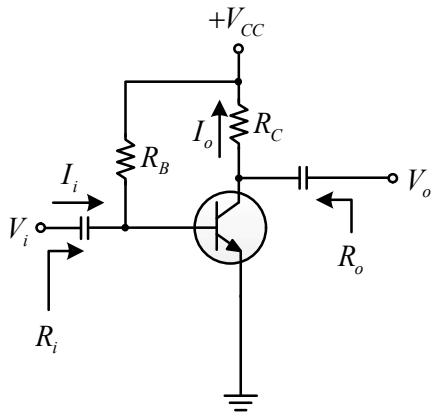


固定偏壓 CE 放大電路



輸入阻抗：

$$R_i = R_B // R_{ib}$$

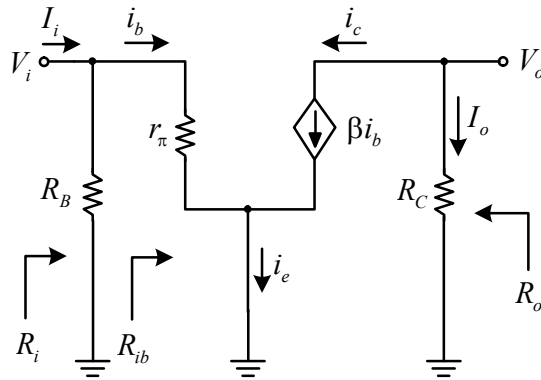
$$R_{ib} = \frac{V_i}{i_b} = \frac{i_b \times r_\pi}{i_b} = r_\pi$$

$$R_i = R_B // r_\pi$$

電壓增益：

$$A_v = \frac{V_o}{V_i} = \frac{-i_c \times R_C}{i_b \times r_\pi} = \frac{-\beta i_b \times R_C}{i_b \times r_\pi} = \frac{-\beta R_C}{r_\pi}$$

小訊號模型 (不含 r_o):



輸出阻抗 (V_i 接地)： R_{oc} 為理想電流源內阻 ∞

$$R_o = R_C // R_{oc} = R_C // \infty = R_C$$

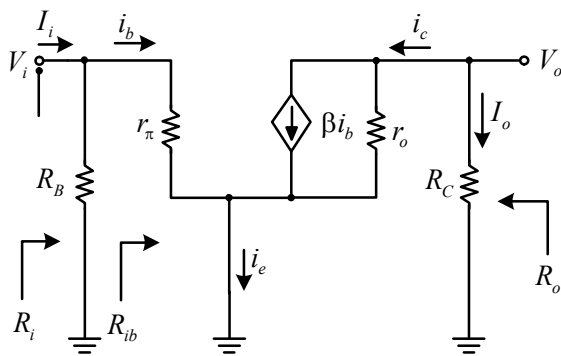
電流增益：

$$A_i = \frac{I_o}{I_i} = \frac{i_b}{I_i} \times \frac{I_o}{i_b} = \frac{R_B}{R_B + R_{ib}} \times (-\beta) = \frac{-\beta R_B}{R_B + r_\pi}$$

$$A_i = \frac{I_o}{I_i} = A_v \times \frac{R_i}{R_o} = \frac{-\beta R_C}{r_\pi} \times \frac{R_B // r_\pi}{R_C} = \frac{-\beta R_C}{r_\pi} \times \frac{\frac{R_B \times r_\pi}{R_B + r_\pi}}{R_C} = \frac{-\beta R_B}{R_B + r_\pi}$$

固定偏壓 CE 放大電路

小訊號模型 (含 r_o):



輸入阻抗：

$$R_i = R_B // r_\pi$$

電壓增益：

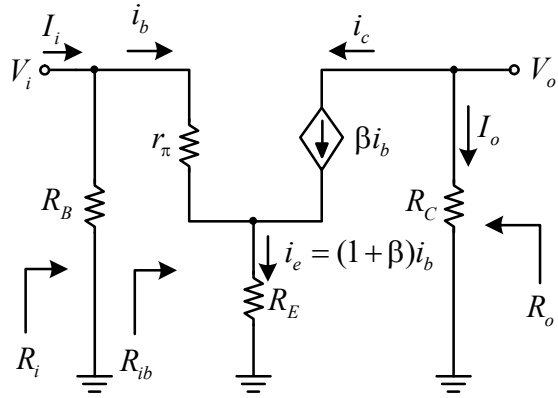
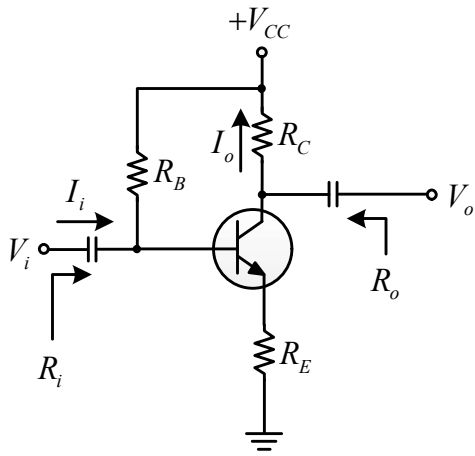
$$A_v = \frac{V_o}{V_i} = \frac{-i_c \times R_C}{i_b \times r_\pi} = \frac{-\beta i_b \times \frac{r_o}{r_o + R_C} \times R_C}{i_b \times r_\pi} = \frac{-\beta(R_C // r_o)}{r_\pi}$$

輸出阻抗 (V_i 接地)： R_{oc} 為理想電流源內阻 ∞

$$R_o = R_C // r_o // R_{oc} = R_C // r_o // \infty = R_C // r_o$$

電流增益：考慮 r_o 時， $i_c \neq \beta i_b$ ， $i_c = \beta i_b \times \frac{r_o}{r_o + R_C}$ 。

$$A_i = \frac{I_o}{I_i} = \frac{i_b}{I_i} \times \frac{I_o}{i_b} = \frac{R_B}{R_B + r_\pi} \times \frac{-i_c}{i_b} = \frac{R_B}{R_B + r_\pi} \times \frac{-\beta i_b \times \frac{r_o}{r_o + R_C}}{i_b} = \frac{R_B}{R_B + r_\pi} \times \frac{-\beta r_o}{r_o + R_C} = \frac{-\beta r_o R_B}{(R_B + r_\pi)(r_o + R_C)}$$



輸入阻抗：

$$R_i = R_B // R_{ib}$$

$$R_{ib} = \frac{V_i}{i_b} = \frac{i_b \times r_\pi + i_e \times R_E}{i_b} = \frac{i_b \times r_\pi + (1 + \beta)i_b \times R_E}{i_b} = r_\pi + (1 + \beta)R_E$$

$$R_i = R_B // [r_\pi + (1 + \beta)R_E]$$

輸出阻抗 (V_i 接地)：

$$R_o = R_C // R_{oc} = R_C // \infty = R_C$$

R_{oc} 為理想電流源內阻 ∞

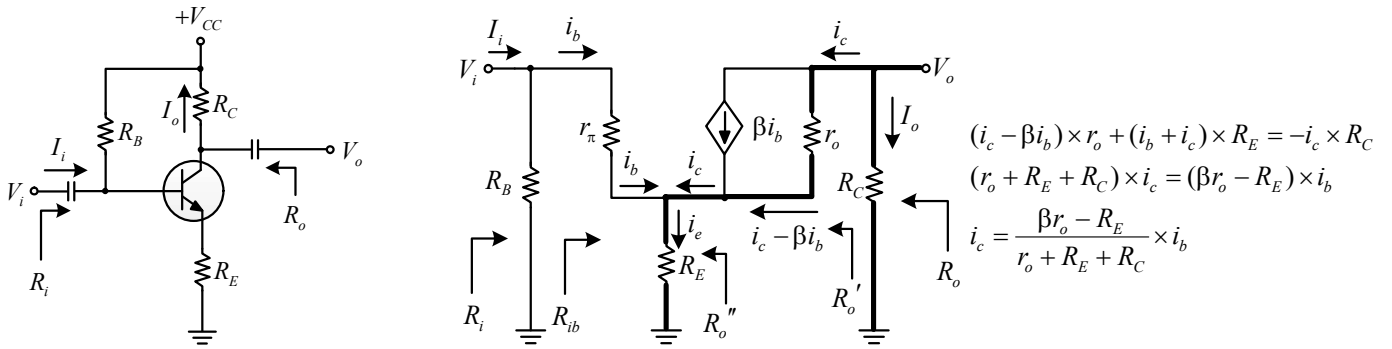
電壓增益：

$$A_v = \frac{V_o}{V_i} = \frac{-i_c \times R_C}{i_b \times r_\pi + i_e \times R_E} = \frac{-\beta i_b \times R_C}{i_b \times r_\pi + (1 + \beta)i_b \times R_E} = \frac{-\beta R_C}{r_\pi + (1 + \beta)R_E}$$

電流增益：

$$A_i = \frac{I_o}{I_i} = \frac{i_b}{I_i} \times \frac{I_o}{i_b} = \frac{R_B}{R_B + R_{ib}} \times (-\beta) = \frac{-\beta R_B}{R_B + [r_\pi + (1 + \beta)R_E]}$$

$$\begin{aligned} A_i &= \frac{I_o}{I_i} = A_v \times \frac{R_i}{R_o} = \frac{-\beta R_C}{r_\pi + (1 + \beta)R_E} \times \frac{R_B // [r_\pi + (1 + \beta)R_E]}{R_C} \\ &= \frac{-\beta R_C}{r_\pi + (1 + \beta)R_E} \times \frac{R_B \times [r_\pi + (1 + \beta)R_E]}{R_B + [r_\pi + (1 + \beta)R_E]} = \frac{-\beta R_B}{R_B + [r_\pi + (1 + \beta)R_E]} \end{aligned}$$



$$(i_c - \beta i_b) \times r_o + (i_b + i_c) \times R_E = -i_c \times R_C$$

$$(r_o + R_E + R_C) \times i_c = (\beta r_o - R_E) \times i_b$$

$$i_c = \frac{\beta r_o - R_E}{r_o + R_E + R_C} \times i_b$$

考慮 r_o 時， $i_c \neq \beta i_b$ ， $i_e \neq (1 + \beta)i_b$ ，但 $i_e = i_b + i_c$ ，須先找出 i_b 與 i_c 電流關係。

輸入阻抗：

$$R_i = R_B // R_{ib} = R_B // (r_\pi + R_E + \frac{(\beta r_o - R_E)R_E}{r_o + R_E + R_C})$$

$$R_{ib} = \frac{V_i}{i_b} = \frac{i_b \times r_\pi + i_e \times R_E}{i_b} = \frac{i_b \times r_\pi + (i_b + i_c) \times R_E}{i_b} = \frac{i_b \times r_\pi + i_b \times R_E + i_c \times R_E}{i_b} = \frac{i_b \times r_\pi + i_b \times R_E + i_b \times \frac{(\beta r_o - R_E)R_E}{r_o + R_E + R_C}}{i_b}$$

$$= r_\pi + R_E + \frac{(\beta r_o - R_E)R_E}{r_o + R_E + R_C}$$

輸出阻抗 (V_i 接地)：

$$R_o = R_C // R_o'$$

$$R_o' = \frac{V_o}{i_c} = \frac{i_c \times R_o'' + (i_c - \beta i_b)r_o}{i_c} = \frac{i_c R_o'' + i_c r_o - \beta i_b r_o}{i_c} = \frac{i_c R_o'' + i_c r_o - i_c \left(\frac{r_o + R_E + R_C}{\beta r_o - R_E} \right) \beta r_o}{i_c}$$

$$= R_o'' + r_o + \frac{\beta r_o (r_o + R_E + R_C)}{\beta r_o - R_E} \quad R_o'' = \frac{-i_b r_\pi}{i_c} \text{ or } \frac{i_e R_E}{i_c} = \frac{-(r_o + R_E + R_C)r_\pi}{\beta r_o - R_E} \text{ or } R_E + \frac{(r_o + R_E + R_C)R_E}{\beta r_o - R_E}$$

電壓增益：

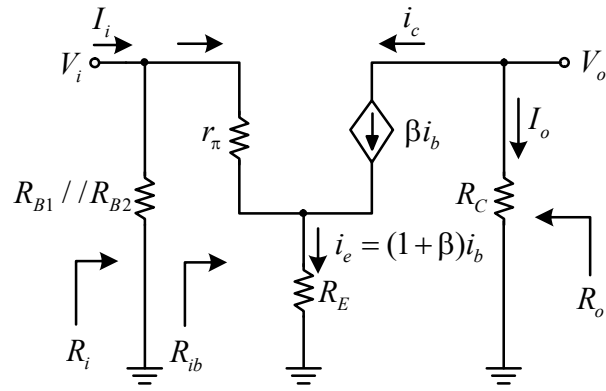
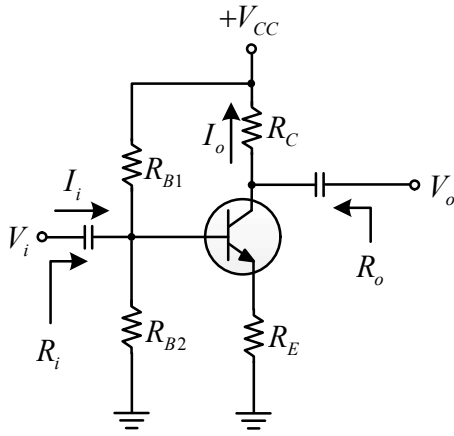
$$A_v = \frac{V_o}{V_i} = \frac{-i_c \times R_C}{i_b \times r_\pi + i_e \times R_E} = \frac{-i_c \times R_C}{i_b \times r_\pi + i_b \times R_E + i_c \times R_E} = \frac{-i_b \times \frac{\beta r_o - R_E}{r_o + R_E + R_C} \times R_C}{i_b \times r_\pi + i_b \times R_E + i_b \times \frac{\beta r_o - R_E}{r_o + R_E + R_C} \times R_E}$$

$$= \frac{-(\beta r_o - R_E)R_C}{r_\pi + R_E + \frac{(\beta r_o - R_E)R_E}{r_o + R_E + R_C}} = \frac{-(\beta r_o - R_E)R_E}{(r_\pi + R_E)(r_o + R_E + R_C) + (\beta r_o - R_E)R_E}$$

電流增益：

$$A_i = \frac{I_o}{I_i} = \frac{i_b}{I_i} \times \frac{I_o}{i_b} = \frac{R_B}{R_B + R_{ib}} \times \frac{-i_c}{i_b} = \frac{R_B}{R_B + r_\pi + R_E + \frac{\beta r_o - R_E}{r_o + R_E + R_C}} \times \frac{-i_b \times \frac{\beta r_o - R_E}{r_o + R_E + R_C}}{i_b}$$

$$= \frac{R_B}{R_B + r_\pi + R_E + \frac{\beta r_o - R_E}{r_o + R_E + R_C}} \times \frac{\beta r_o - R_E}{r_o + R_E + R_C} = \frac{(\beta r_o - R_E)R_B}{(R_B + r_\pi + R_E)(r_o + R_E + R_C) + (\beta r_o - R_E)R_E}$$



輸入阻抗：

$$R_i = R_{B1} // R_{B2} // R_{ib}$$

$$R_{ib} = \frac{V_i}{i_b} = \frac{i_b \times r_\pi + i_e \times R_E}{i_b} = \frac{i_b \times r_\pi + (1 + \beta)i_b \times R_E}{i_b} = r_\pi + (1 + \beta)R_E$$

$$R_i = R_{B1} // R_{B2} // [r_\pi + (1 + \beta)R_E]$$

輸出阻抗 (V_i 接地)：

$$R_o = R_C // R_{oc} = R_C // \infty = R_C$$

R_{oc} 為理想電流源內阻 ∞

電壓增益：

$$A_v = \frac{V_o}{V_i} = \frac{-i_c \times R_C}{i_b \times r_\pi + i_e \times R_E} = \frac{-\beta i_b \times R_C}{i_b \times r_\pi + (1 + \beta)i_b \times R_E} = \frac{-\beta R_C}{r_\pi + (1 + \beta)R_E}$$

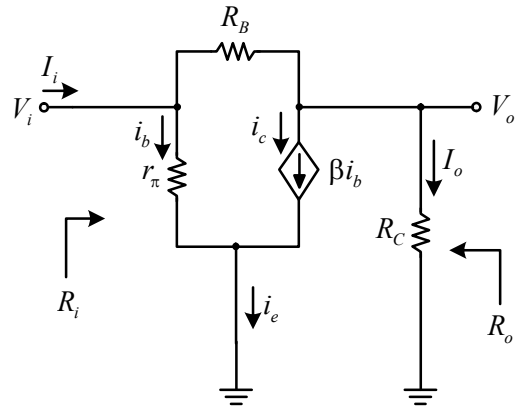
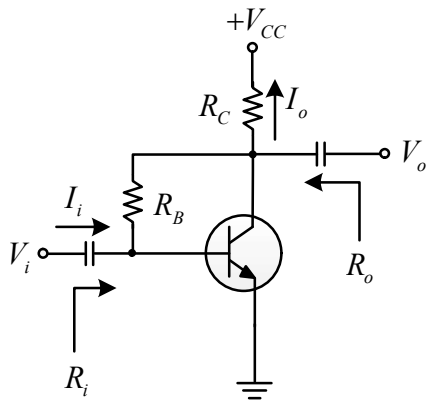
電流增益：

$$A_i = \frac{I_o}{I_i} = \frac{i_b}{I_i} \times \frac{I_o}{i_b} = \frac{R_{B1} // R_{B2}}{R_{B1} // R_{B2} + R_{ib}} \times (-\beta) = \frac{-\beta(R_{B1} // R_{B2})}{(R_{B1} // R_{B2}) + [r_\pi + (1 + \beta)R_E]}$$

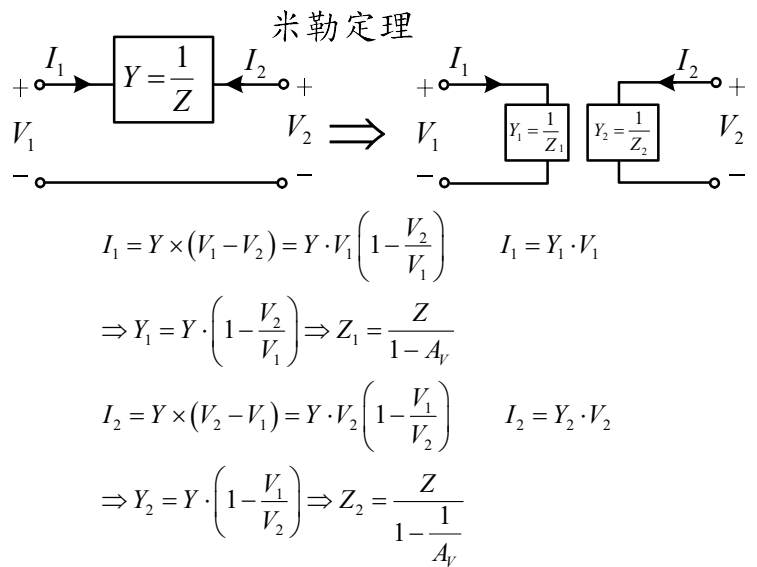
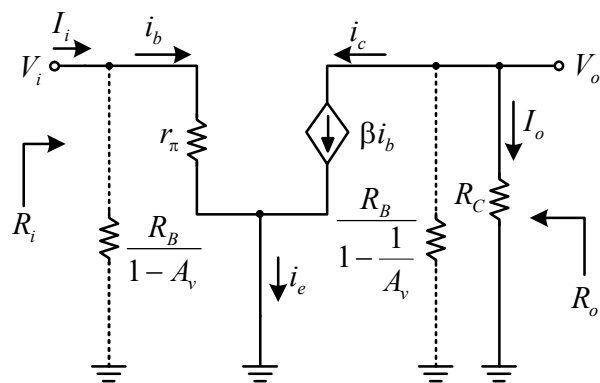
$$A_i = \frac{I_o}{I_i} = A_v \times \frac{R_i}{R_o} = \frac{-\beta R_C}{r_\pi + (1 + \beta)R_E} \times \frac{R_{B1} // R_{B2} // [r_\pi + (1 + \beta)R_E]}{R_C}$$

$$= \frac{-\beta R_C}{r_\pi + (1 + \beta)R_E} \times \frac{(R_{B1} // R_{B2}) \times [r_\pi + (1 + \beta)R_E]}{(R_{B1} // R_{B2}) + [r_\pi + (1 + \beta)R_E]} = \frac{-\beta(R_{B1} // R_{B2})}{(R_{B1} // R_{B2}) + [r_\pi + (1 + \beta)R_E]}$$

■ 分壓式偏壓 CE 放大電路小訊號 (含 r_o) 模型與上述射極回授偏壓 CE 放大電路小訊號 (含 r_o) 模型相同，唯 R_B 改為 $R_{B1} // R_{B2}$ 。



依據米勒定理將電路等效如下：

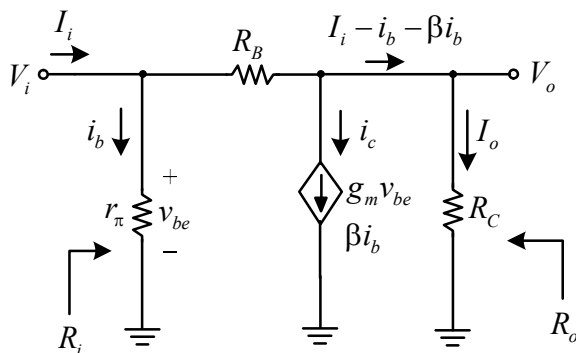
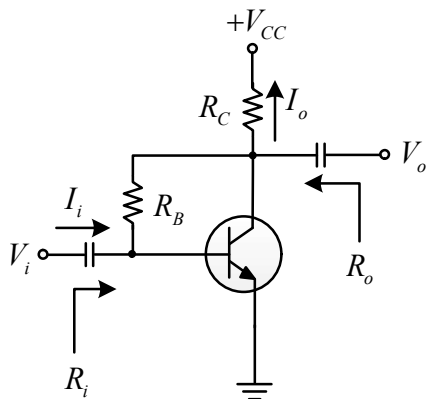


電壓增益：求解 A_v 一元二次方程式 (複雜)

$$A_v = \frac{V_o}{V_i} = \frac{-i_c \times \left(\frac{R_B}{1 - \frac{1}{A_v}} // R_C\right)}{i_b \times r_\pi} = \frac{-\beta i_b \times \left(\frac{R_B}{1 - \frac{1}{A_v}} // R_C\right)}{i_b \times r_\pi} = \frac{-\beta \left(\frac{R_B A_v}{A_v - 1} // R_C\right)}{r_\pi}$$

$$= \frac{-\beta \left(\frac{A_v R_B}{A_v - 1} + R_C\right)}{\frac{A_v R_B}{A_v - 1} \times R_C} = -\beta \left(\frac{A_v R_B + R_C}{\frac{r_\pi A_v R_B R_C}{A_v - 1}}\right) = -\beta \left(\frac{A_v R_B + A_v R_C - R_C}{r_\pi A_v R_B R_C}\right)$$

$$A_v^2 = \frac{-\beta(R_B + R_C)}{r_\pi R_B R_C} A_v + \frac{\beta R_C}{r_\pi R_B R_C} \Rightarrow A_v^2 + \frac{\beta(R_B + R_C)}{r_\pi R_B R_C} A_v - \frac{\beta R_C}{r_\pi R_B R_C} = 0$$



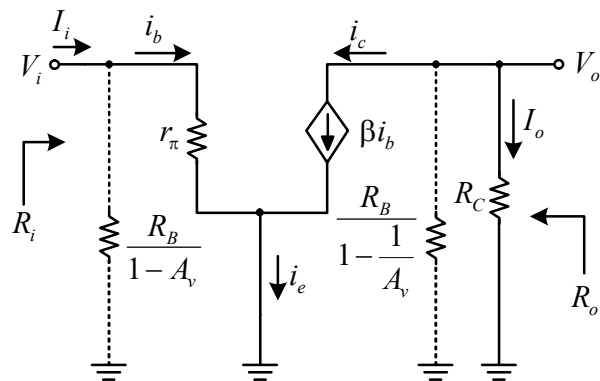
電壓增益：利用節點電壓方法解出，再將小訊號模型轉換為米勒等效電路。

$$V_i = v_{be}$$

$$\frac{V_o - V_i}{R_B} + g_m v_{be} + \frac{V_o}{R_C} = 0 \Rightarrow \frac{V_o - V_i}{R_B} + g_m V_i + \frac{V_o}{R_C} = 0$$

$$\left(\frac{1}{R_B} + \frac{1}{R_C}\right)V_o = \left(\frac{1}{R_B} - g_m\right)V_i$$

$$A_v = \frac{V_o}{V_i} = \frac{\left(\frac{1}{R_B} - g_m\right)}{\left(\frac{1}{R_B} + \frac{1}{R_C}\right)}$$



輸入阻抗：

$$R_i = r_\pi // \frac{R_B}{1 - A_v} \text{ (並聯米勒電阻)}$$

輸出阻抗 (V_i 接地)：

$$R_o = R_C // \frac{R_B}{1 - \frac{1}{A_v}} // R_{oc} = R_C // \frac{R_B}{1 - \frac{1}{A_v}} // \infty = R_C // \frac{R_B}{1 - \frac{1}{A_v}}$$

R_{oc} 為理想電流源內阻 ∞

電流增益：

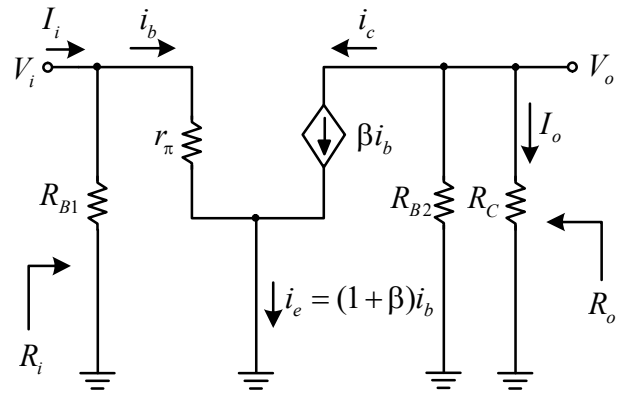
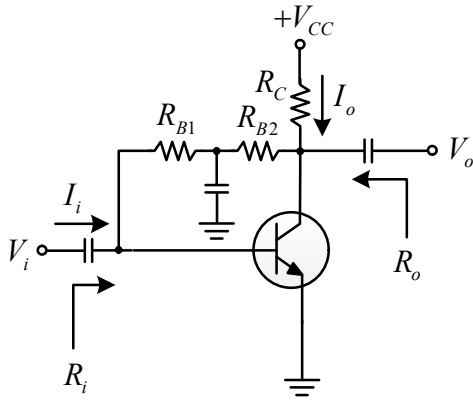
$$A_i = \frac{I_o}{I_i} = \frac{i_b}{I_i} \times \frac{I_o}{i_b} = \frac{R_B}{r_\pi(1 - A_v) + R_B} \times \frac{-\beta R_B}{\left(1 - \frac{1}{A_v}\right)R_C + R_B}$$

$$i_b = I_i \times \frac{\frac{R_B}{1 - A_v}}{r_\pi + \frac{R_B}{1 - A_v}} \Rightarrow \frac{i_b}{I_i} = \frac{\frac{R_B}{1 - A_v}}{r_\pi + \frac{R_B}{1 - A_v}} = \frac{R_B}{r_\pi(1 - A_v) + R_B}$$

$$I_o = -\beta i_b \times \frac{\frac{R_B}{1 - \frac{1}{A_v}}}{R_C + \frac{R_B}{1 - \frac{1}{A_v}}} \Rightarrow \frac{I_o}{i_b} = \frac{-\beta R_B}{\left(1 - \frac{1}{A_v}\right)R_C + R_B}$$

集極回授偏壓 CE 放大電路 (反交連電容)

小訊號模型 (不含 r_o):



輸入阻抗：

$$R_i = R_{B1} // R_{ib}$$

$$R_{ib} = \frac{V_i}{i_b} = \frac{i_b \times r_\pi}{i_b} = r_\pi$$

$$R_i = R_{B1} // r_\pi$$

輸出阻抗 (V_i 接地)： R_{oc} 為理想電流源內阻 ∞

$$R_o = R_C // R_{B2} // R_{oc} = R_C // R_{B2} // \infty = R_C // R_{B2}$$

電壓增益：

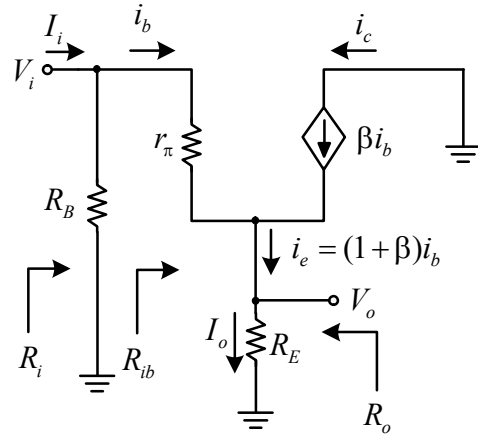
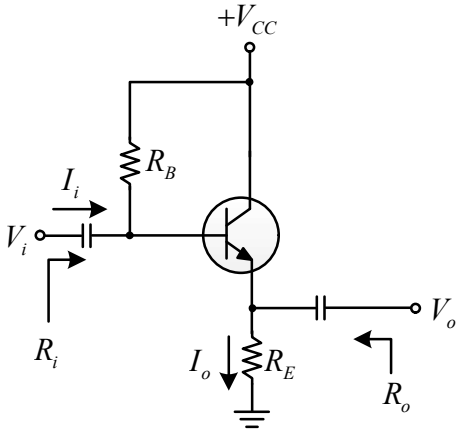
$$A_v = \frac{V_o}{V_i} = \frac{-i_c \times (R_C // R_{B2})}{i_b \times r_\pi} = \frac{-\beta i_b \times (R_C // R_{B2})}{i_b \times r_\pi} = \frac{-\beta (R_C // R_{B2})}{r_\pi}$$

電流增益：

$$A_i = \frac{I_o}{I_i} = \frac{i_b}{I_i} \times \frac{I_o}{i_b} = \frac{\left(\frac{R_{B1}}{R_{B1} + R_{ib}}\right) I_i}{I_i} \times \frac{-\beta i_b \left(\frac{R_{B2}}{R_{B2} + R_C}\right)}{i_b} = \frac{-\beta R_{B1} R_{B2}}{(R_{B1} + r_\pi)(R_{B2} + R_C)}$$

CC 放大電路(射極隨耦器、電壓緩衝器)

小訊號模型 (不含 r_o):



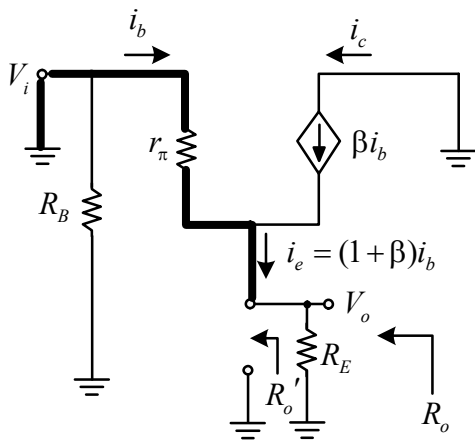
輸入阻抗:

$$R_i = R_B // R_{ib}$$

$$R_{ib} = \frac{V_i}{i_b} = \frac{i_b \times r_\pi + i_e \times R_E}{i_b} = \frac{i_b \times r_\pi + (1 + \beta)i_b \times R_E}{i_b} = r_\pi + (1 + \beta)R_E$$

$$R_i = R_B // [r_\pi + (1 + \beta)R_E]$$

輸出阻抗 (V_i 接地):



$$R_o' = \frac{V_o}{-i_e} = \frac{-i_b r_\pi}{-(1 + \beta)i_b} = \frac{r_\pi}{1 + \beta}$$

$$R_o = R_E // R_o' = R_E // \left(\frac{r_\pi}{1 + \beta}\right) = R_E // r_e$$

電壓增益:

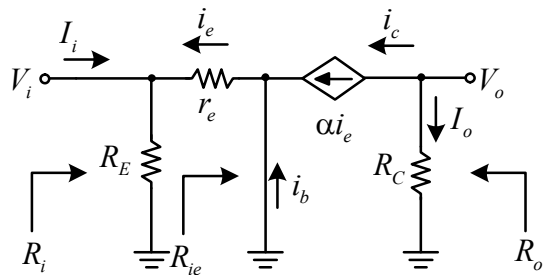
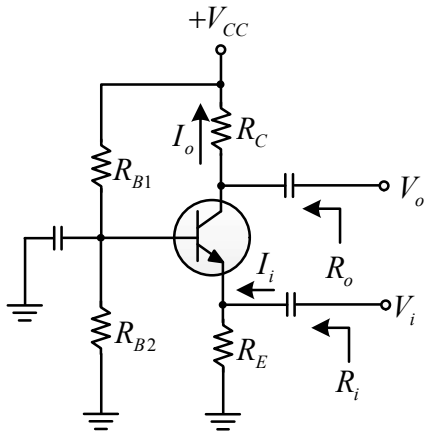
$$A_v = \frac{V_o}{V_i} = \frac{i_e \times R_E}{i_b \times r_\pi + i_e \times R_E} = \frac{(1 + \beta)i_b \times R_E}{i_b \times r_\pi + (1 + \beta)i_b \times R_E} = \frac{(1 + \beta)R_E}{r_\pi + (1 + \beta)R_E} \approx 1$$

電流增益:

$$A_i = \frac{I_o}{I_i} = \frac{i_b}{I_i} \times \frac{I_o}{i_b} = \frac{R_B}{R_B + R_{ib}} \times (1 + \beta) = \frac{(1 + \beta)R_B}{R_B + [r_\pi + (1 + \beta)R_E]}$$

CB 放大電路(電流緩衝器)

小訊號模型 (不含 r_o):



輸入阻抗：

$$R_i = R_E // R_{ie} = R_E // r_e$$

輸出阻抗 (V_i 接地)： R_{oc} 為理想電流源內阻 ∞

$$R_o = R_C // R_{oc} = R_C // \infty = R_C$$

電壓增益：

$$A_v = \frac{V_o}{V_i} = \frac{-\alpha i_e \times R_C}{-i_e \times r_e} = \frac{\alpha R_C}{r_e} \approx \frac{R_C}{r_e}$$

電流增益：

$$A_i = \frac{I_o}{I_i} = \frac{i_e}{I_i} \times \frac{I_o}{i_e} = \frac{-\left(\frac{R_E}{R_E + r_e}\right) I_i}{I_i} \times \frac{-\alpha i_e}{i_e} = \frac{\alpha R_E}{R_E + r_e} \approx 1$$

$$A_i = A_v \times \frac{R_i}{R_o} = \frac{\alpha R_C}{r_e} \times \frac{R_E // r_e}{R_C} = \frac{\alpha R_C}{r_e} \times \frac{\frac{R_E r_e}{R_E + r_e}}{R_C} = \frac{\alpha R_E}{R_E + r_e}$$